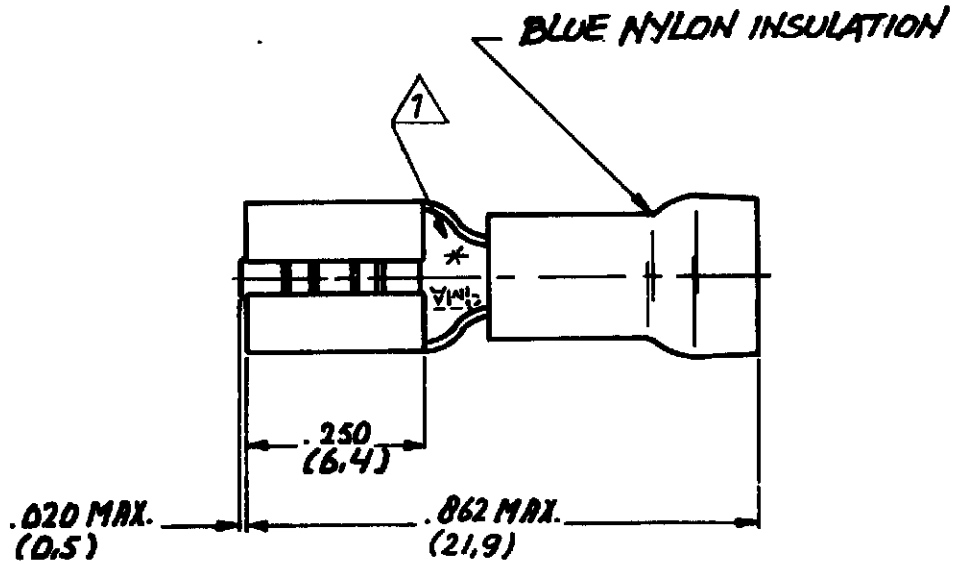
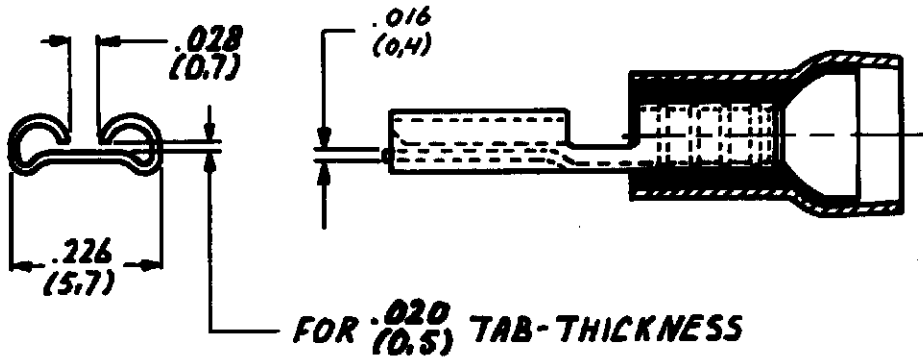


DRAWING MADE IN AMERICAN PROJECTION

NUMBER C-160477



DOC. CENTRE
23 JAN. 1992



△ ASTERISK * FOR PH. BRONZE VERSION ONLY.

DIMENSIONS IN MM. DO NOT SCALE PRINT

9-160477-8	PH. BRONZE	TIN LEAD
5-160477-7	9-160477-7 TAPE MOUNTED	
5-160477-6	9-160477-6 TAPE MOUNTED	
5-160477-5	9-160477-5 TAPE MOUNTED	
5-160477-4	9-160477-4 TAPE MOUNTED	
5-160477-3	9-160477-3 TAPE MOUNTED	
5-160477-2	9-160477-2 TAPE MOUNTED	
9-160477-7	PH. BRONZE	GOLD
9-160477-6	PH. BRONZE	SILVER
9-160477-5	PH. BRONZE	TIN
9-160477-4	BRASS	GOLD
9-160477-3	BRASS	SILVER
9-160477-2	BRASS	TIN

CUSTOMER COPY FOR REFERENCE ONLY

©1980 BY AMP-HOLLAND N.V. ALL RIGHTS RESERVED A-M-P PRODUCTS COVERED BY PATENTS AND/OR PATENTS PENDING.



AMP-HOLLAND N.V.
's-Hertogenbosch

WIRE RANGE 16-24 AWG 4.0-2.6mm	INSUL. RANGE .130 MAX. DIA 3.3 mm MAX. DIA	FIRST L ¹
SCALE N.T.S.	SIZE A	NO. C-160477

REV
5

ORDER NO.	MATERIAL	PLATING
DR. RUM 5/80	DATE	DE
DATE	DATE	DATE
CHK	DATE	APP
DATE	DATE	DATE

NAME
187 SER. P.I D.G. FASTON RECEPTACLE