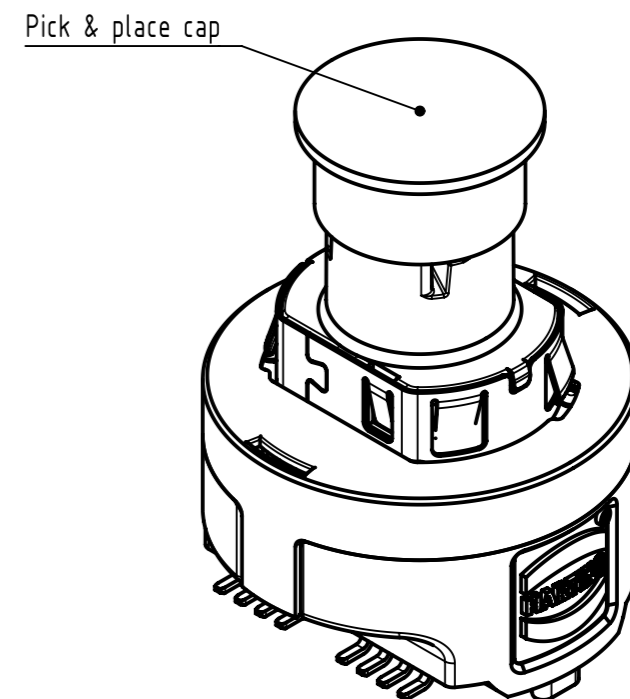
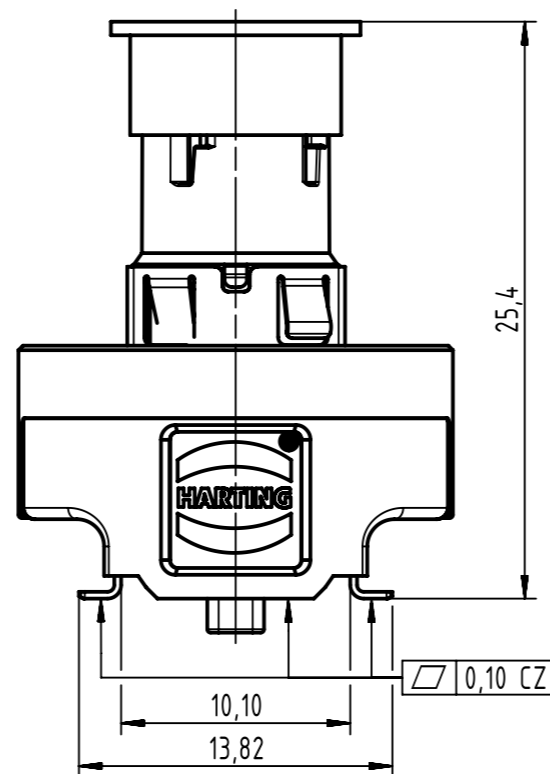
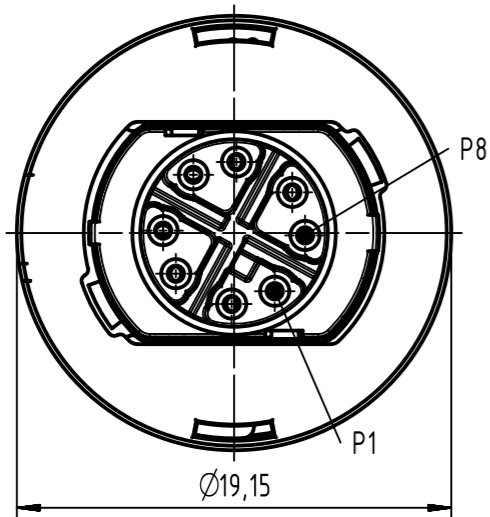


mating face based on
IEC 61076-2-109



Further information see data sheet: 21033810102

	All rights reserved Department EC PD - CN HARTING Electronics GmbH D-32339 Espelkamp	All Dimensions in mm Original Size DIN A3		Scale 2:1	Free size tol.	Ref. Sub.
		Created by CHENSK	Inspected by CHENSK	Standardisation HOFFMANN	Date 2017-05-24	State Final Release
Title M12 transformer recpt X-coded 1G straight w/o PoE		Type TB		Number 21033812815		Doc-Key / ECM-Nr. 100693027/UGD/003/B 500000117439
						Rev. B Page 1/1