

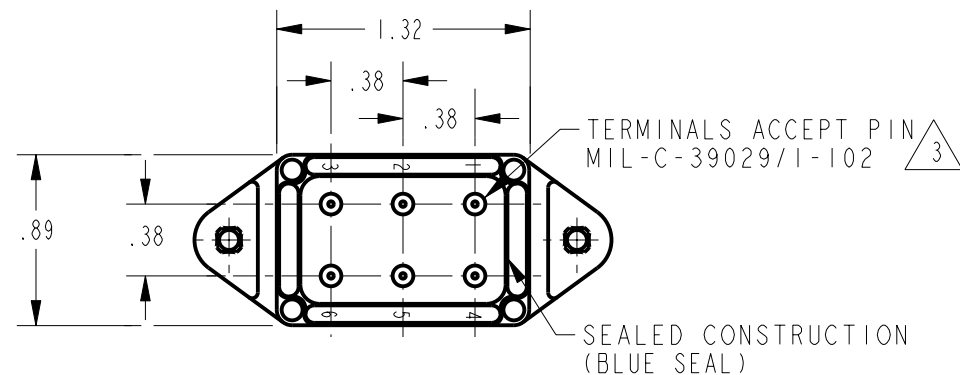
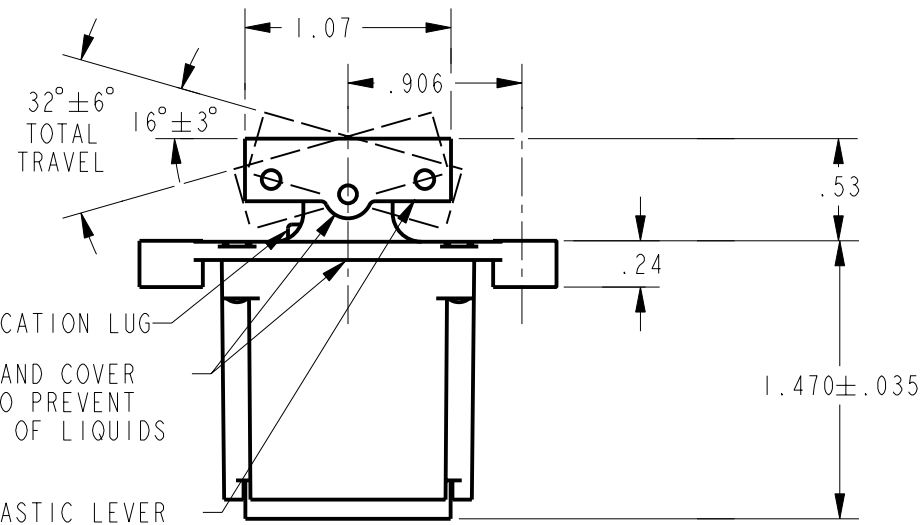
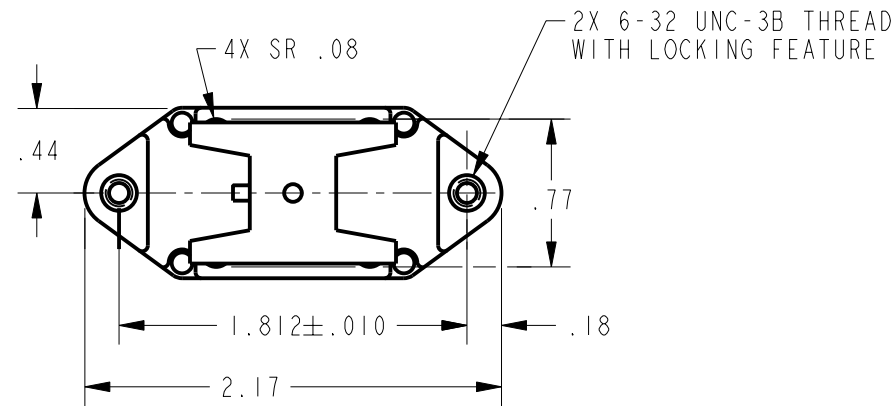
**SWITCH - TOGGLE  
ABOVE PANEL MOUNT**

CATALOG LISTING

**102TP81 SERIES CHART 1**

THIS DRAWING COVERS A PROPRIETARY ITEM AND IS THE PROPERTY OF MICRO SWITCH. A DIVISION OF HONEYWELL. THIS DRAWING IS NOT TO BE COPIED OR USED WITHOUT THE APPROVAL OF MICRO SWITCH

CATALOG LISTING 102TP81 SERIES CHART 1  
 PAGE 1 OF 1  
 RELEASE NO. PR-20331  
 REPLACES -  
 CHECK  
 REVISIONS  
 A 204410  
 GJW  
 16NOV01  
 CHECK  
 16 NOV 01  
 SAV  
 CHECK  
 16 NOV 01  
 GJW  
 DRAWN  
 PTC/CAD 2D  
 GJW 16 NOV 01  
 CHECK  
 16 NOV 01  
 SAV  
 CHECK  
 16 NOV 01  
 GJW  
 ISSUE 4  
 M  
 ISSUE 4  
 CHECK  
 16 NOV 01  
 SAV  
 CHECK  
 16 NOV 01  
 GJW  
 DRAWN  
 PTC/CAD 2D  
 GJW 16 NOV 01  
 CHECK  
 16 NOV 01  
 SAV  
 CHECK  
 16 NOV 01  
 GJW



CATALOG LISTING	CIRCUIT MADE WITH BUTTON DEPRESSED ON		
	LUG SIDE (1-2,4-5)	CENTER (1-2,4-5)	OPPOSITE LUG (2-3,5-6)
102TP81-1	ON	OFF	ON
102TP81-2	OFF	NONE	ON
102TP81-3	ON	NONE	ON
102TP81-21	NONE	OFF	ON
102TP81-31	NONE	ON	ON
102TP81-4	MOM OFF	NONE	ON
102TP81-5	MOM ON	OFF	ON
102TP81-6	MOM ON	NONE	OFF
102TP81-7	MOM ON	OFF	MOM ON
102TP81-8	MOM ON	NONE	ON
102TP81-51	NONE	ON	MOM ON
102TP81-61	MOM ON	OFF	NONE

ELECTRICAL DATA	
L191	15A 125, <u>250</u> , 277 VAC 1/2HP 125 VAC 1HP <u>250</u> , 277 VAC 5A 125 VAC "L"
<b>CE</b>	<b>UL</b> <b>®</b>
L192	10A 125, <u>250</u> , 277 VAC 1/4HP 125 VAC, 1/2HP <u>250</u> , 277 VAC 3A 125 VAC "L"
<b>CE</b>	<b>UL</b> <b>®</b>

- NOTES
- 1 - CIRCUIT DESIGNATION AND MICRO SWITCH CATALOG LISTING MARKED ON SIDE OF SWITCH
  - 2 - SWITCHES ARE CAPABLE OF WITHSTANDING A TEMPERATURE OF 160°F CONTINUOUSLY AT FULL RATED LOAD
  - 3 - THE SEALING GROMMET SHALL SEAL ON A SMOOTH WIRE INSULATION OF  $\phi .040$  TO  $\phi .083$  (14-16 GAGE)
  - 4 - UNUSED TERMINAL HOLES MAY BE SEALED WITH PLUGS M83723/28-16
  - 5 - APPLIES ONLY TO "ON" AND "MOMENTARY ON" POSITIONS

THIRD ANGLE PROJECTION

SCALE FULL

DO NOT SCALE PRINT

UNLESS OTHERWISE SPECIFIED TOLERANCES ARE

ONE PLACE	(.0)	±.030
TWO PLACE	(.00)	±.015
THREE PLACE	(.000)	±.005
ANGLES		±

WEIGHT