

DATA SHEET

HT2 DC20 S20

HITAGTM 2 Transponders

Product Specification
Revision 3.0
Public Information

July 2006
029830



PHILIPS

CONTENTS

1	FEATURES	3
2	GENERAL DESCRIPTION	4
3	ORDERING INFORMATION	5
4	QUICK REFERENCE DATA	6
5	FUNCTIONAL DESCRIPTION	7
5.1	Memory Organization.....	7
5.2	Operation Modes and Configuration	8
5.2.1	Modes of Operation	8
5.2.2	Status Flow	9
5.2.3	Configuration	10
5.3	Configuration of Delivered Transponders	12
5.4	Definition of Passwords and Keys.....	13
6	ELECTRICAL PARAMETERS	14
6.1	Electrical Characteristics	14
6.2	Limiting Values	15
7	MECHANICAL CHARACTERISTICS	16
8	Revision History	17

1 FEATURES

- Identification transponder for use in contactless applications
- Operating frequency 125 kHz
- Data transmission and energy supply via RF link, no internal battery
- Reading distance same as writing distance
- Non-volatile memory of 256 bits (128 bit user data and 128 bit control data/secret memory) organized in 8 pages, 4 Bytes each
- 10 years non-volatile data retention
- > 100 000 erase/write cycles
- Selective read/write protection of memory content
- Two coding schemes for read operation: Biphase and Manchester coding
- Effective communication protocol with outstanding data integrity check
- Mutual authentication function
- Read/write mode allows:
 - plain data transmission (password check)
 - encrypted data transmission (crypto mode)
- In read/write mode multi-tag operation possible because of special HALT-function
- Emulation of standard industrial read-only transponders:
 - Public Mode A (MIRO and transponders from μ EM (H400x))
 - Public Mode B (according to ISO 11784 and ISO 11785 for animal identification)
 - Public Mode C (PIT compatible mode)

2 GENERAL DESCRIPTION

The HT2DC20S20 is a high performance transponder for bi-directional transmission in half duplex mode between read/write device and transponder.

Data are stored in the transponder in a non-volatile memory (EEPROM). The transponder requires no internal power supply; it derives its power from the magnetic component of the RF carrier frequency generated by the reader. Data are transmitted by modulating this carrier.

The HT2DC20S20 is dedicated for use in secure access systems where the transponder and the reader have to identify each other. The choosable use of cryptography enables highest data security. Providing several operating modes (password, crypto, standard read only modes) the versatile transponder can be used in various applications. The possible use of an installed reader base for read only transponders makes the additional use of HT2DC20S20 or the replacement of read only transponders by HT2DC20S20 very easy.

The HALT-command can be used after finishing data exchange to reach the halt-state. In this state the transponder is muted. This feature can be used to have steady RF field where single transponders are collected one by one. Each transponder is operated and then disabled so it does not interfere with the next transponder. The halt-state can only be exited by switching off/removing the magnetic field.

The EEPROM has a capacity of 256 Bits and is organized in 8 pages of 4 Bytes. The 8 pages are split up into 4 pages containing user data and into 4 pages for control of the memory access and for authentication purposes.

The pages of the transponder memory can be protected against read or write access by setting corresponding memory flags.

Absorption modulation is used to transmit data from the transponder to the reader. The transponder absorbs the magnetic field, which hence modulates the current in the reader antenna. Data transmission to the HT2DC20S20 uses binary pulse length modulation (BPLM).

3 ORDERING INFORMATION

Type Name	Description	Ordering Number
HT2 DC20 S20/F	HITAG 2 S20 Stick	9352 339 40122 *

* minimum Order Quantity: 1000pcs.

4 QUICK REFERENCE DATA

PARAMETER	VALUE	UNIT
Carrier frequency	125	kHz
Data transmission mode	half-duplex	
Transfer rate – transponder ⇒ reader – reader ⇒ transponder	4.0 5.2	kbit/s kbit/s
Coding – transponder ⇒ reader – reader ⇒ transponder	Manchester / Biphase BPLM (binary pulse length modulation)	
Modulation	ASK (amplitude shift keying)	
Memory size	256	bit
Memory organization	8	page
Encrypted mutual authentication - Serial Number - Secret Key - Duration	32 48 36	bit bit ms

Special features	<ul style="list-style-type: none"> • user defined write protection • unique 32 bit serial number for each transponder • read only emulation function (µEM H400x family, ISO 11784 and 11785, PIT compatibility) • encrypted data transmission possible
------------------	--

5 FUNCTIONAL DESCRIPTION

5.1 Memory Organization

The memory of the transponder consists of 256 bits EEPROM memory and is organized in 8 pages with 32 bits each.

Depending on the operation mode the EEPROM is organized as described in the following.

Crypto Mode:

Page	Content
0	Serial Number
1	32 LSBs of 48 bit key
2	16 MSBs of 48 bit Key, 16 bit reserved
3	8 bit Configuration, 24 Bit Password TAG
4	read/write page
5	read/write page
6	read/write page
7	read/write page

Password Mode:

Page	Content
0	Serial Number
1	Password RWD
2	reserved
3	8 bit Configuration, 24 bit Password TAG
4	read/write page
5	read/write page
6	read/write page
7	read/write page

5.2 Operation Modes and Configuration

With the Configuration Byte the operation mode and the access rights to the memory can be selected. During Power-Up of the transponder the Configuration Byte is read from the EEPROM of the transponder.

If you change the configuration, keys or passwords, you have to place the transponder directly on the antenna (0-distance)! In order to avoid any errors do not move the transponder during this write process and be sure that you are in a safe environment without electrical noise.

5.2.1 Modes of Operation

The HT2DC20S20 can be operated in several modes.

Crypto Mode:

Mode for writing or reading the transponder with encrypted data transmission.

Password Mode:

Mode for writing or reading the transponder with plain data transmission.

Public Mode A (Manchester):

Read only mode emulating Philips MIRO transponders resp. μ EM H400x transponders. The 64 bits of the user Pages 4 and 5 are cyclically transmitted to the read/write device.

Public Mode B (Biphase):

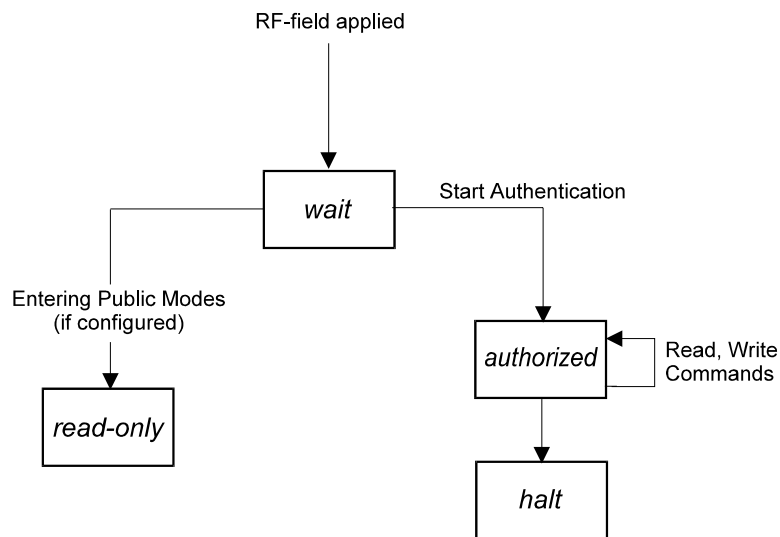
Read only mode according to ISO standards 11784 and 11785 for animal identification. The 128 bits of the user Pages 4 to 7 are cyclically transmitted to the read/write device.

Public Mode C (Biphase):

Read only mode emulating the read operation of the PCF793X (with a slightly different Program Mode Check).

In the Public Mode C the 128 bits of the user Pages 4 to 7 are cyclically transmitted to the read/write device.

5.2.2 Status Flow



After entering the RF-field the transponder waits for a command to start the authentication.

After issuing this command the mutual authentication takes place, followed by read- and write commands.

In password mode the data transfer occurs plain, in crypto mode data are encrypted.

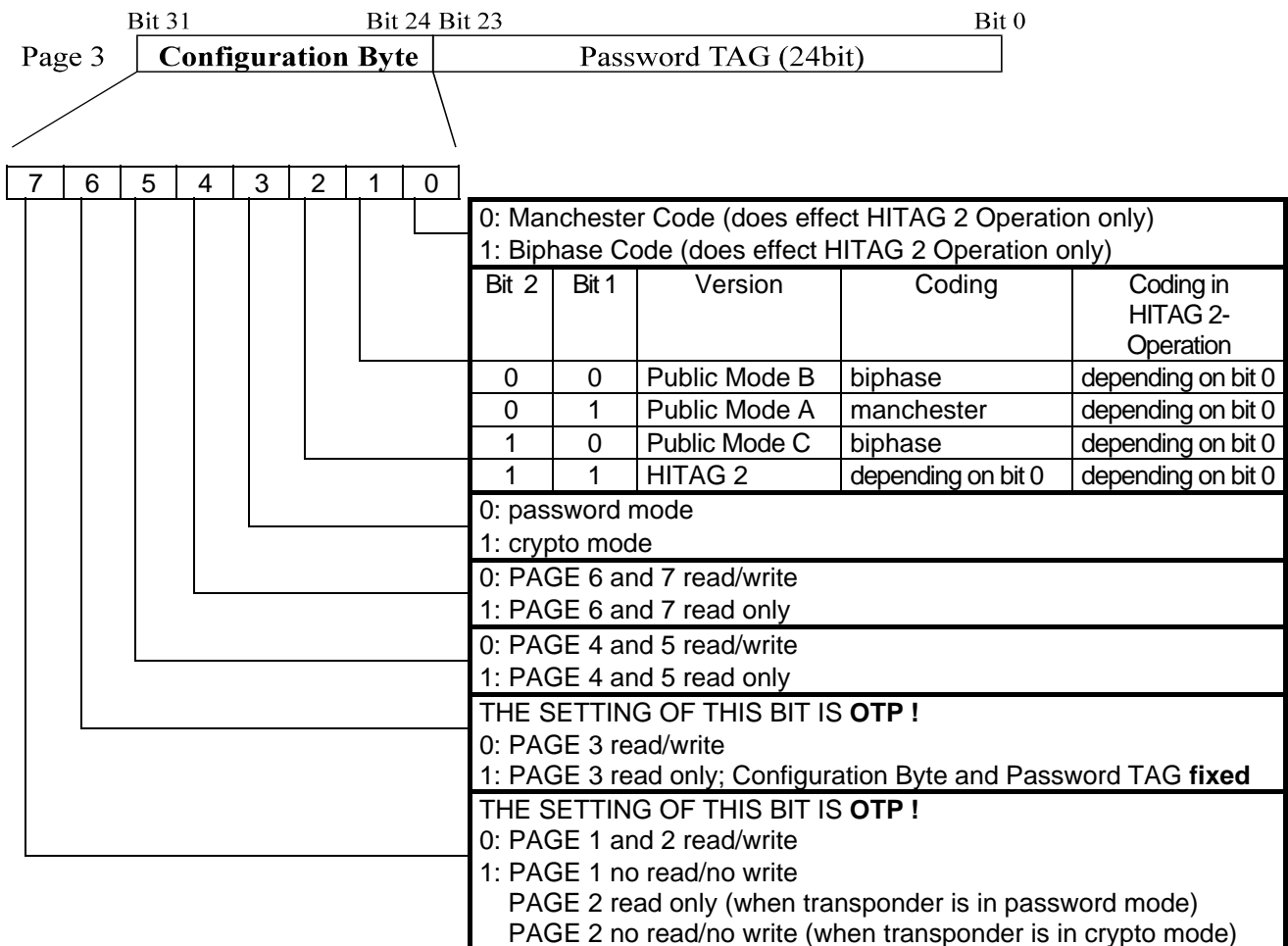
The halt mode can be entered for muting a transponder.

If the transponder is configured in one of the public modes, these modes are entered automatically after a certain waiting time and data pages are sent cyclically to the read/write device.

By issuing the command to start the authentication during the waiting time also public mode transponders can be brought into the authorized state.

5.2.3 Configuration

The Configuration Byte is represented by the first 8 bits of Page 3 of the transponder memory.



Configuration Byte / Bit 6:

Bit 6 = '0': Page 3 is read/write.

Bit 6 = '1': Page 3 can only be read. This process is irreversible!

ATTENTION: Do not set Bit 1 of the Configuration Byte to '1' before having written the final data into Page 3 (including the Configuration Byte and Password TAG) of the transponder.

Configuration Byte / Bit 7:

Bit 7 = '0': Pages 1 and 2 are read/write.

Bit 7 = '1': Pages 1 and 2 are locked against writing. This process is irreversible!

ATTENTION: Do not set Bit 7 of the Configuration Byte to '1' before having written the final data into Pages 1 and 2 of the transponder.

Standard values for the Configuration Byte:

Password Mode:	0x06
Crypto Mode:	0x0E
Public Mode A:	0x02
Public Mode B:	0x00
Public Mode C:	0x04

5.3 Configuration of Delivered Transponders

HT2DC20S20 transponders are delivered with the following configuration:

Unique Serial Number:

Serial Number: Read Only - fixed

Configuration Byte:

0x06:	Password Mode (Manchester Code)	-	can be changed
	Page 6 and 7 read/write	-	can be changed
	Page 4 and 5 read/write	-	can be changed
	Page 3 read/write	-	can be changed
	Page 1 and 2 read/write	-	can be changed

Values for Transport Passwords, Transport Keys:

Password RWD:	0x4D494B52	(= "MIKR")
Password TAG:	0xAA4854	
Key Low:	0x4D494B52	(= "MIKR")
Key High:	0x4F4E	(= "ON")

RECOMMENDATION:

Before delivering transponders to end users, Pages 1 to 3 should be locked (set Configuration Byte / Bit 6 to '1' for Page 3 and set Configuration Byte / Bit 7 to '1' for Pages 1 and 2).

5.4 Definition of Passwords and Keys

Keys are cryptographic codes, which determine data encryption during data transfer between read/write device and transponder. They are used to select a HT2DC20S20 transponder in Crypto Mode. The 16 bit KEY HIGH and 32 bit KEY LOW form one 48-bit key which has to be identical on both the transponder and the read/write device.

Passwords are needed to select a HT2DC20S20 transponder in Password Mode. There is one pair of passwords (Password TAG, Password RWD), which has to be identical both on the transponder and the read/write device.

Password TAG: Password that the transponder sends to the read/write device and which may be verified by the latter (depending on the configuration of the read/write device).

Password RWD: Password that the read/write device sends to the transponder and which is checked for identity by the latter.

It is important that the following values are in accordance with each other, i.e. the respective data on the read/write device and on the transponder have to be identical pairs.

HT2DC20S20 in Password mode:

on the read/write device		on the transponder
Password RWD	↔	Password RWD

as an option (depending on the configuration of the read/write device):

Password TAG	↔	Password TAG
--------------	---	--------------

HT2DC20S20 in Crypto mode:

on the read/write device		on the transponder
KEY LOW	↔	KEY LOW
KEY HIGH	↔	KEY HIGH

as an option (depending on the configuration of the read/write device):

Password TAG	↔	Password TAG
--------------	---	--------------

The passwords and keys are predefined by Philips by means of defined Transport Passwords and a Transport Key. They can be written to, which means that they can be changed (see also Chapter "Configuration of Delivered HT2DC20S20 Transponders").

ATTENTION: Passwords and Keys only can be changed if their current values are known!

6 ELECTRICAL PARAMETERS

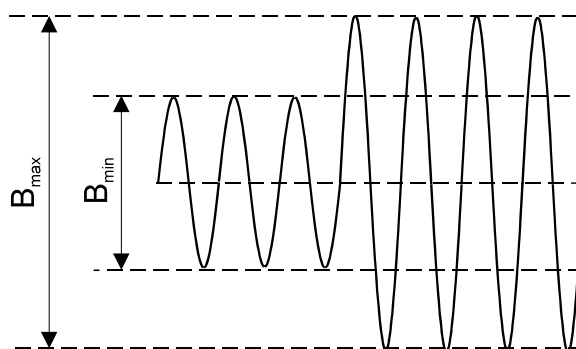
6.1 Electrical Characteristics

$T_0 = 8 \mu\text{s}$ (period length for $f_0 = 125 \text{ kHz}$)

All parameters are guaranteed within the temperature range from -40°C to 85°C .

SYMBOL	PARAMETER	CONDITION	MIN.	MAX.	UNIT
f_{RES}	resonance frequency		121	129	kHz
Bw	bandwidth		2.3		kHz
B_{thr}	magnetic flux density, data transmission from transponder to base station	$f_0 = 125 \text{ kHz}$	35	400 *	μT_{pp}
B_{prog}	magnetic flux density for programming the EEPROM	$m = 0.95$ $f_0 = 125 \text{ kHz}$ $t_{\text{low}} = 8T_0$	35	400 *	μT_{pp}
B_{auth}	magnetic flux density for mutual authentication	$m = 0.95$ $f_0 = 125 \text{ kHz}$ $t_{\text{low}} = 8T_0$	35	400 *	μT_{pp}
B_{read}	field absorption due to the modulation of the transponder	$f_0 = 125 \text{ kHz}$ $B_{\text{field}} = 35 \mu\text{T}_{\text{pp}}$	8		μT_{pp}
Mi_{PRG}	modulation index (m) of the base station for programming and authentication	$B_{\text{field}} = 35 \mu\text{T}_{\text{pp}}$ $f_0 = 125 \text{ kHz}$ $t_{\text{low}} = 8T_0$	95	100	%

All parameters are characterized with the Scemtec test equipment (STM-1), available from **SCEMTEC, Reichshof-Wenrath, Germany**.



$$m = \frac{(B_{\text{max}} - B_{\text{min}})}{(B_{\text{max}} + B_{\text{min}})}$$

$$B_{\text{read}} = |B_{\text{max}} - B_{\text{min}}|$$

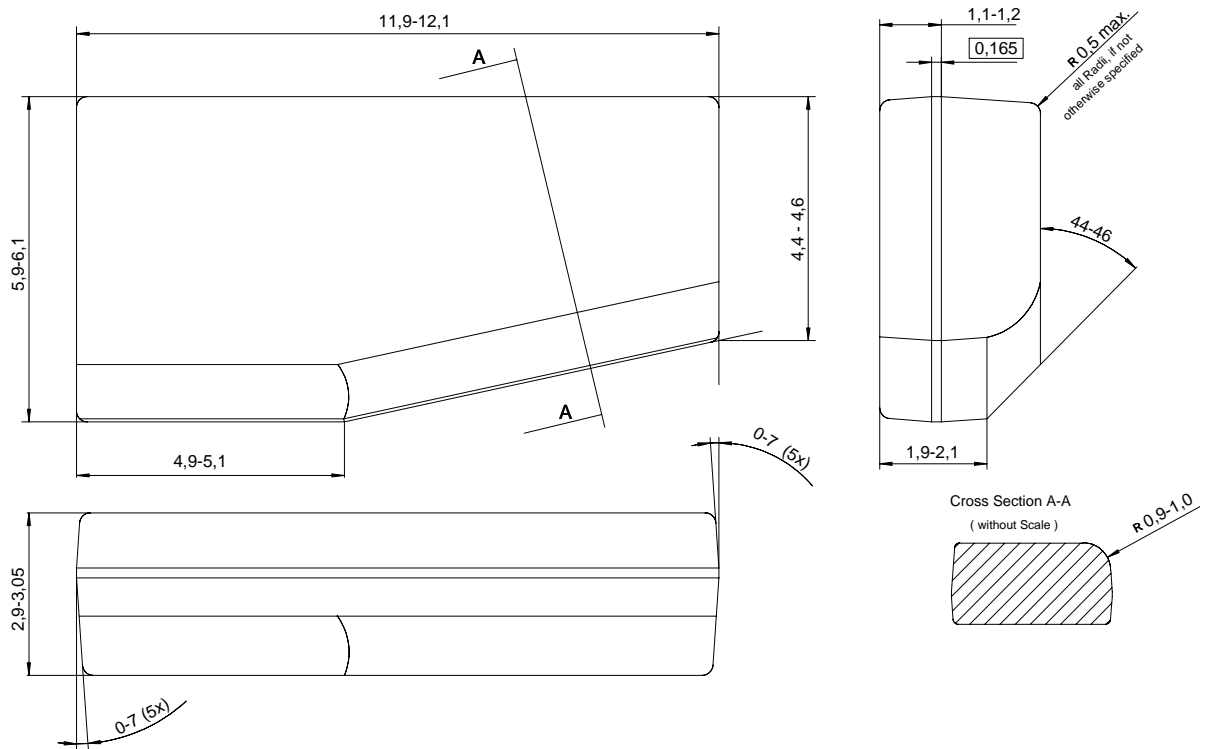
* Maximum available field strength of the test equipment. Transponder limit has not been characterized.

6.2 Limiting Values

Parameter	Condition	Min.	Max.	Unit
No. of erase/write cycles of the EEPROM		100 000		
Data retention time of the EEPROM	@ 55 °C	10		years
Operating temperature range		-40	+85	°C
Storage temperature range		-55	+125	°C
Magnetic flux density			0.2	T

7 MECHANICAL CHARACTERISTICS

Parameter	Value	Unit
Mechanical dimensions	12 x 6 x 3	mm
Protection class	IP67	
Casting material	epoxy resin	
Housing colour	black	
Vibration <ul style="list-style-type: none"> - 20 - 2000 Hz - 3-axis - IEC 68-2-6, Test Fc 	20	g
Shock <ul style="list-style-type: none"> - 3-axis - IEC 68-2-6, Test Ea 	1500	g



Protruding plastic must not exceed specified dimension by more than 0.2 mm

8 Revision History

Revision	Date	CPCN	Page	Description
2.0	Jan 1999			Initial Version
3.0	July 2006		18	Add Disclaimer Section: <ul style="list-style-type: none">- Philips Field of Use- Philips Right to make changes

Definitions

Data sheet status	
Objective specification	This data sheet contains target or goal specifications for product development.
Preliminary specification	This data sheet contains preliminary data; supplementary data may be published later.
Product specification	This data sheet contains final product specifications.
Limiting values	
Limiting values given are in accordance with the Absolute Maximum Rating System (IEC 134). Stress above one or more of the limiting values may cause permanent damage to the device. These are stress ratings only and operation of the device at these or at any other conditions above those given in the Characteristics section of the specification is not implied. Exposure to limiting values for extended periods may affect device reliability.	
Application information	
Where application information is given, it is advisory and does not form part of the specification.	

Disclaimer

Field of Use - Philips owns a worldwide perpetual license for patents US 5,214,409, US 5,499,017, US 5,235,326, and for any foreign counterparts or equivalents of these patents. The license is granted for the Philips Field. The Philips Field covers:

- (a) all non-animal applications and
- (b) any application for animals raised for human consumption (including but not limited to dairy animals), including without limitation livestock and fish.

Please note that the license does not include rights outside the Philips Field, and that Philips does not provide indemnity for the foregoing patents outside the Philips Field. In case you intend to use the product related to this data sheet outside the "Philips Field" we recommend that you consult a Philips representative for further clarification.

Life support applications - These products are not designed for use in life support appliances, devices, or systems where malfunction of these products can reasonably be expected to result in personal injury. Philips Semiconductors customers using or selling these products for use in such applications do so at their own risk and agree to fully indemnify Philips Semiconductors for any damages resulting from such application.

Right to make changes - Philips Semiconductors reserves the right to make changes in the products – including circuits, standard cells, and/or software - described or contained herein in order to improve design and/or performance. When the product is in full production (status 'Production'), relevant changes will be communicated via a Customer Product/Process Change Notification (CPCN). Philips Semiconductors assumes no responsibility or liability for the use of any of these products, conveys no licence or title under any patent, copyright, or mask work right to these products, and makes no representations or warranties that these products are free from patent, copyright, or mask work right infringement, unless otherwise specified.

PAGE INTENTIONALLY LEFT BLANK.

Philips Semiconductors - a worldwide company

Argentina: see South America

Australia: 34 Waterloo Road, NORTHRYDE, NSW 2113,
Tel. +612 9805 4455, Fax. +612 9805 4466

Austria: Computerstraße 6, A-1101 WIEN, P.O.Box 213,
Tel. +431 60 101, Fax. +431 30 101 1210

Belarus: Hotel Minsk Business Centre, Bld. 3, r.1211, Volodarski Str. 6,
220050 MINSK, Tel. +375172 200 733, Fax. +375172 200 773

Belgium: see The Netherlands

Brazil: see South America

Bulgaria: Philips Bulgaria Ltd., Energoproject, 15th floor,
51 James Bourchier Blvd., 1407 SOFIA

Tel. +3592 689 211, Fax. +3592 689 102

Canada: Philips Semiconductors/Components,
Tel. +1800 234 7381

China/Hong Kong: 501 Hong Kong Industrial Technology Centre,
72 Tat Chee Avenue, Kowloon Tong, HONG KONG,
Tel. +85223 19 7888, Fax. +85223 19 7700

Colombia: see South America

Czech Republic: see Austria

Denmark: Prags Boulevard 80, PB 1919, DK-2300 COPENHAGEN S,
Tel. +4532 88 2636, Fax. +4531 57 1949

Finland: Sinikalliontie 3, FIN-02630 ESPOO,
Tel. +3589 61 5800, Fax. +3589 61 580/xxx

France: 4 Rue du Port-aux-Vins, BP 317, 92156 SURESNES Cedex,
Tel. +331 40 99 6161, Fax. +331 40 99 6427

Germany: Hammerbrookstraße 69, D-20097 HAMBURG,
Tel. +4940 23 53 60, Fax. +4940 23 536 300

Greece: No. 15, 25th March Street, GR 17778 TAVROS/ATHENS,
Tel. +301 4894 339/239, Fax. +301 4814 240

Hungary: see Austria

India: Philips INDIA Ltd., Shivsagar Estate, A Block, Dr. Annie Besant Rd.
Worli, MUMBAI 400018, Tel. +9122 4938 541, Fax. +9122 4938 722

Indonesia: see Singapore

Ireland: Newstead, Clonskeagh, DUBLIN 14,
Tel. +3531 7640 000, Fax. +3531 7640 200

Israel: RAPAC Electronics, 7 Kehilat Saloniki St., TEL AVIV 61180,
Tel. +9723 645 0444, Fax. +9723 649 1007

Italy: Philips Semiconductors, Piazza IV Novembre 3,
20124 MILANO, Tel. +392 6752 2531, Fax. +392 6752 2557

Japan: Philips Bldg. 13-37, Kohnan 2-chome, Minato-ku, TOKYO 108,
Tel. +813 3740 5130, Fax. +813 3740 5077

Korea: Philips House, 260-199, Itaewon-dong, Yonsan-ku, SEOUL,
Tel. +822 709 1412, Fax. +822 709 1415

Malaysia: No. 76 Jalan Universiti, 46200 PETALING JAYA, Selangor,
Tel. +60 3750 5214, Fax. +603 757 4880

Mexico: 5900 Gateway East, Suite 200, EL PASO, Texas 79905,
Tel. +9 5800 234 7381

Middle East: see Italy

Netherlands: Postbus 90050, 5600 PB EINDHOVEN, Bldg. VB,
Tel. +3140 27 82785, Fax +3140 27 88399

New Zealand: 2 Wagener Place, C.P.O. Box 1041, AUCKLAND,
Tel. +649 849 4160, Fax. +649 849 7811

Norway: Box 1, Manglerud 0612, OSLO,
Tel. +4722 74 8000, Fax. +4722 74 8341

Philippines: Philips Semiconductors Philippines Inc.,
106 Valero St. Salcedo Village, P.O.Box 2108 MCC, MAKATI,
Metro MANILA, Tel. +632 816 6380, Fax. +632 817 3474

Poland: Ul. Lukiska 10, PL 04-123 WARSZAWA,
Tel. +4822 612 2831, Fax. +4822 612 2327

Portugal: see Spain

Romania: see Italy

Russia: Philips Russia, Ul. Usatcheva 35A, 119048 MOSCOW,
Tel. +7095 247 9145, Fax. +7095 247 9144

Singapore: Lorong 1, Toa Payoh, SINGAPORE 1231,
Tel. +65350 2538, Fax. +65251 6500

Slovakia: see Austria

Slovenia: see Italy

South Africa: S.A. Philips Pty Ltd., 195-215 Main Road Martindale,
2092 JOHANNESBURG, P.O.Box 7430 Johannesburg 2000,
Tel. +2711 470 5911, Fax. +2711 470 5494

South America: Rua do Rocio 220, 5th floor, Suite 51,
04552-903 Sao Paulo, SAO PAULO - SP, Brazil,
Tel. +5511 821 2333, Fax. +5511 829 1849

Spain: Balmes 22, 08007 BARCELONA,
Tel. +343 301 6312, Fax. +343 301 4107

Sweden: Kottbygatan 7, Akalla, S-16485 STOCKHOLM,
Tel. +468 632 2000, Fax. +468 632 2745

Switzerland: Allmendstraße 140, CH-8027 ZÜRICH,
Tel. +411 488 2686, Fax. +411 481 7730

Taiwan: Philips Taiwan Ltd., 2330F, 66,
Chung Hsiao West Road, Sec. 1, P.O.Box 22978,
TAIPEI 100, Tel. +8862 382 4443, Fax. +8862 382 4444

Thailand: Philips Electronics (Thailand) Ltd.,
209/2 Sanpavuth-Bangna Road Prakanong, BANGKOK 10260,
Tel. +662 745 4090, Fax. +662 398 0793

Turkey: Talapasa Cad. No. 5, 80640 GÜLTEPE/ISTANBUL,
Tel. +90212 279 2770, Fax. +90212 282 6707

Ukraine: Philips Ukraine, 4 Patrice Lumumba Str., Building B, Floor 7,
252042 KIEV, Tel. +38044 264 2776, Fax. +38044 268 0461

United Kingdom: Philips Semiconductors Ltd., 276 Bath Road, Hayes,
MIDDLESEX UM3 5BX, Tel. +44181 730 5000, Fax. +44181 754 8421

United States: 811 Argues Avenue, SUNNYVALE, CA94088-3409,
Tel. +1800 234 7381

Uruguay: see South America

Vietnam: see Singapore

Yugoslavia: Philips, Trg N. Pasica 5/v, 11000 BEOGRAD,
Tel. +38111 625 344, Fax. +38111 635 777

Philips Semiconductors Gratkorn, Mikron-Weg 1, A-8101 Gratkorn, Austria

Fax: +43 / 3124 / 299 - 270

For all other countries apply to: Philips Semiconductors, Marketing & Sales Communications,
Building BE-p, P.O.Box 218, 5600 MD EINDHOVEN, The Netherlands, Fax: +3140 27 24825

Internet: <http://www.semiconductors.philips.com>

© Philips Electronics N.V. 1996

SCB52

All rights are reserved. Reproduction in whole or in part is prohibited without the prior written consent of the copyright owner.

The information presented in this document does not form part of any quotation or contract, is believed to be accurate and reliable and may be changed without any notice. No liability will be accepted by the publisher for any consequence of its use. Publication thereof does not convey nor imply any license under patent- or other industrial or intellectual property rights.



PHILIPS