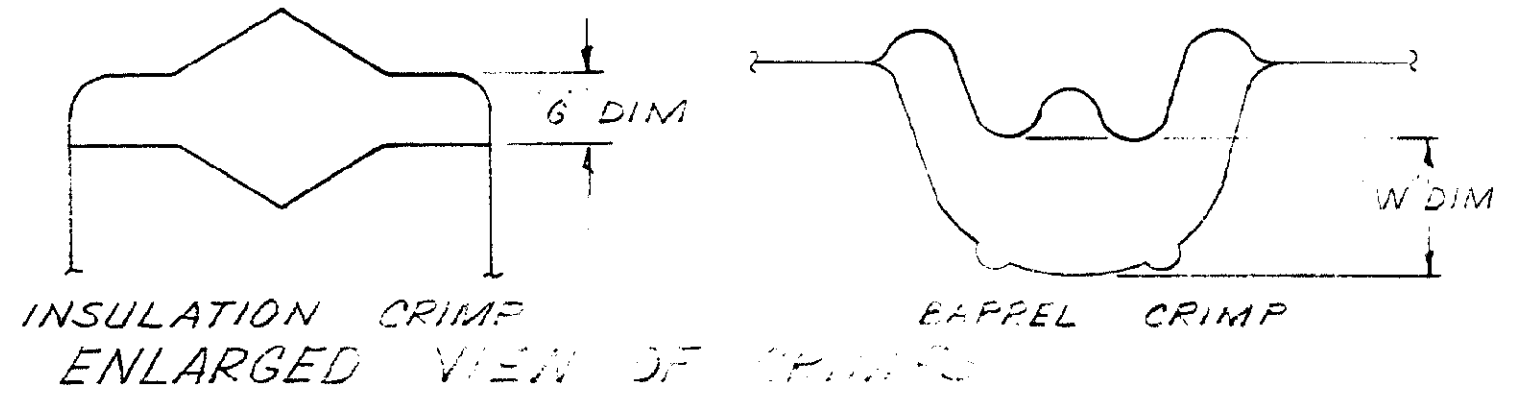
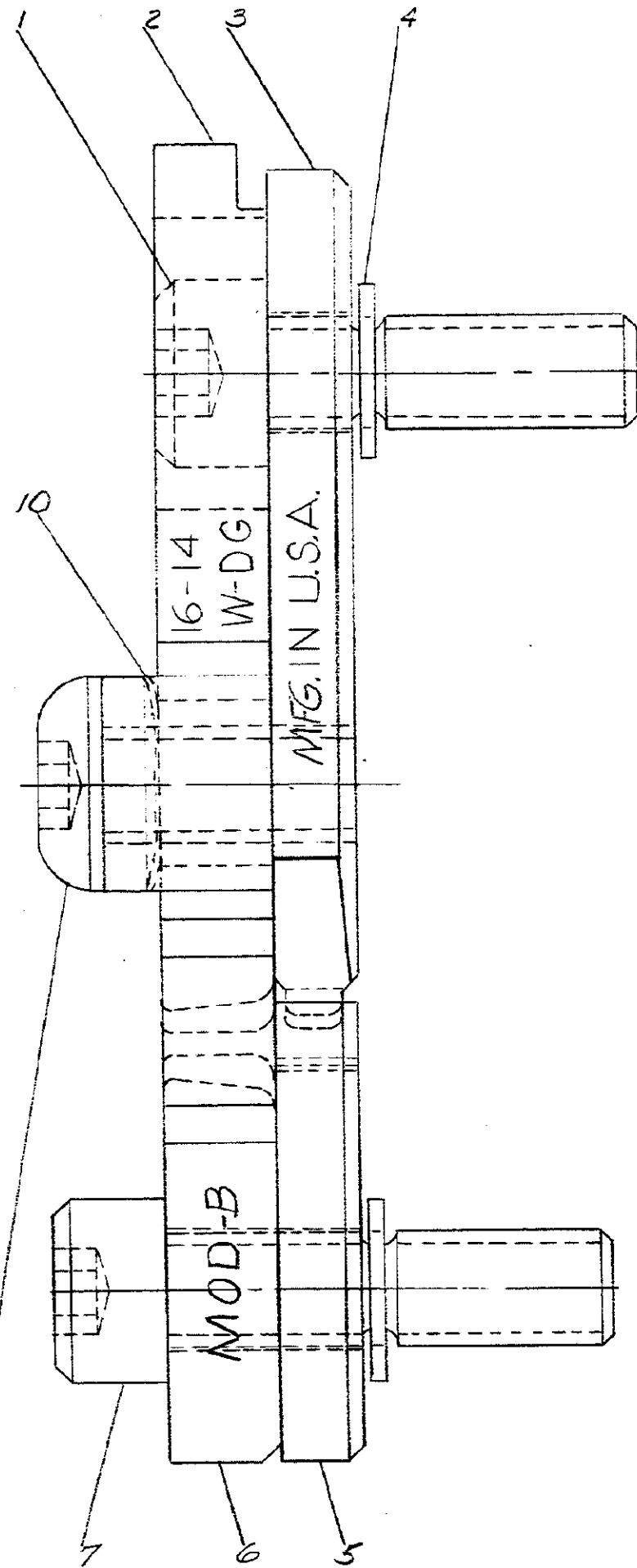
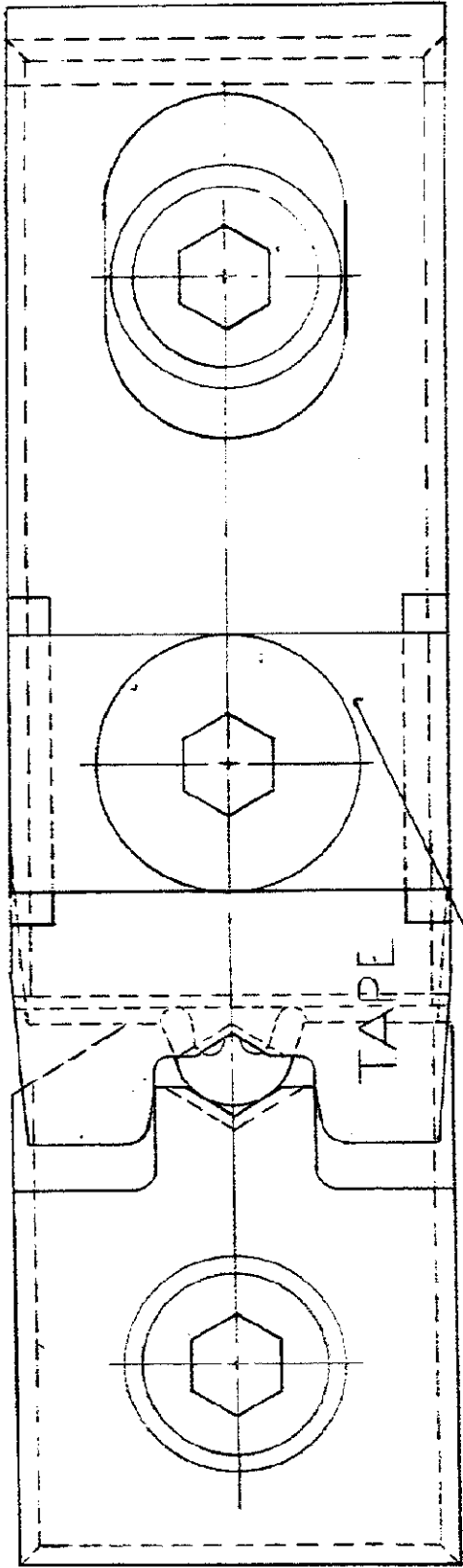
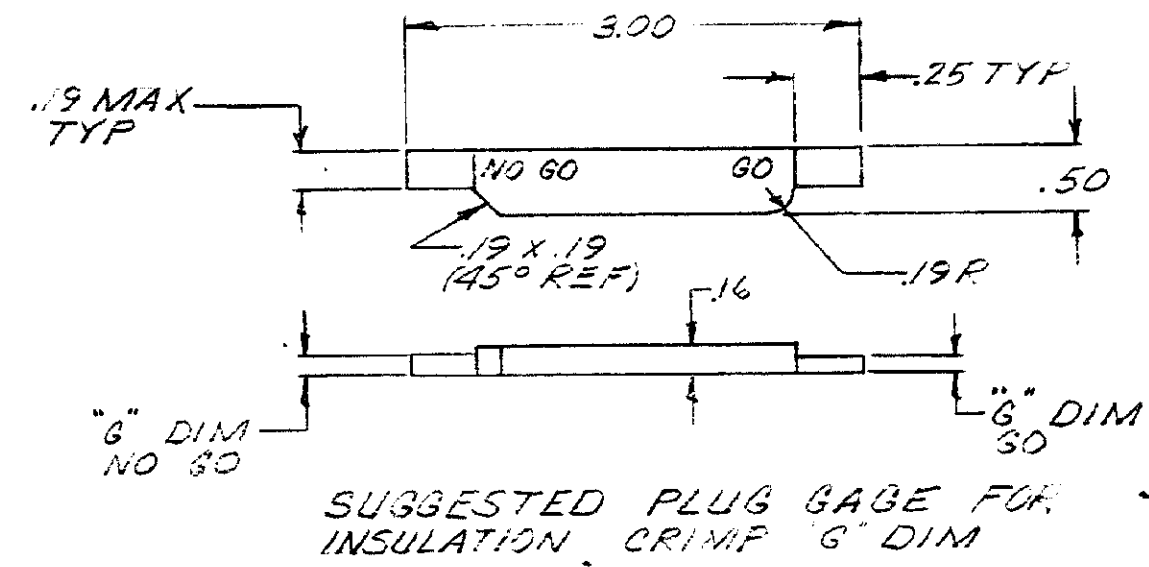
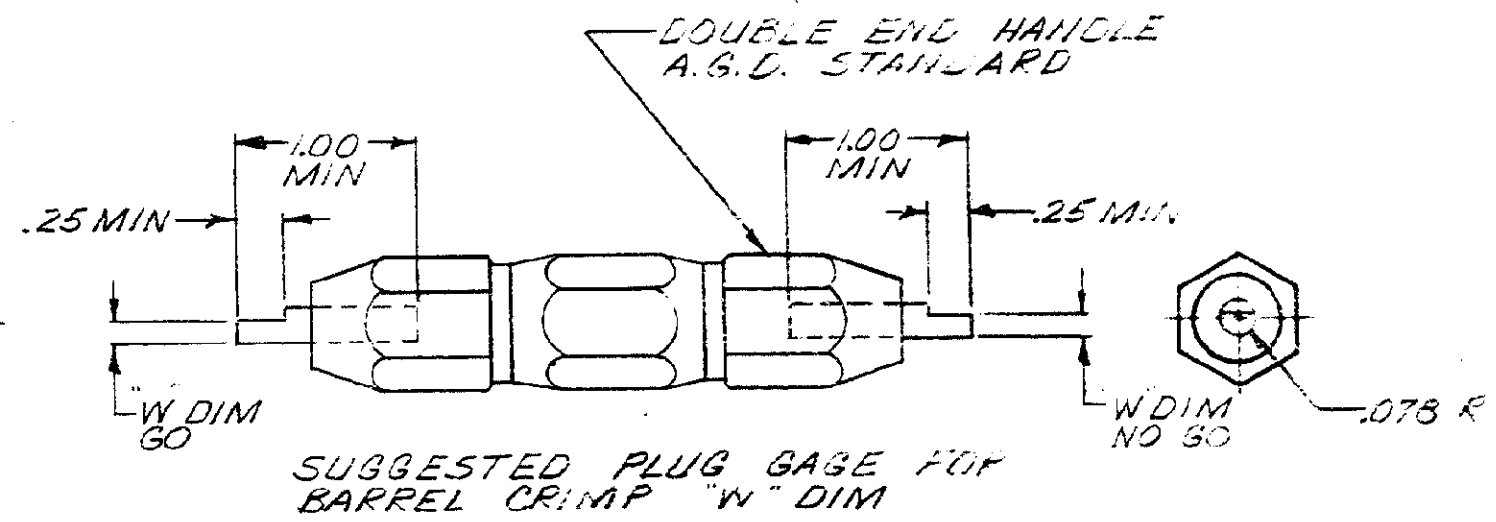


NUMBER 69931

PLUG GAGE DIMENSIONS APPLY WHEN TOOL IS  
BOTTOMED BUT NOT UNDER PRESSURE.



G DIM. AT POS #1		W DIM	
GO	NO GO	GO	NO GO
.030	.050	.075	.091



ITEM NO.	NUMBER	NAME	REMARKS
10	24088-8	WASHER - CURVED	
9	307275-9	SADDLE	
8	3-59577-1	SCREW (10-32 UNF-3A x 426 LONB)	
7	59781-9	SCREW - SPECIAL	
6	3-59619-1	ANVIL - INSULAT. DIA	
5	307235-1	NEST	
4	2-21046-3	RING - RETAINING	
3	307236-1	INDENTER	
2	1-307285-3	INDENTER - INSULATION	
1	2-59781-B	SCREW	

REQUIRED PER ASSEMBLY	© 1969 BY AMP INCORPORATED. ALL RIGHTS RESERVED. AMP PRODUCTS COVERED BY PATENTS AND/OR PATENTS PENDING.	CUSTOMER COPY REFERENCE ONLY
DR B. Sheffield 12-15-69	MATERIAL AND FINISH ++	AMP AMP INCORPORATED HARRISBURG, PENNA.
16-14	WIRE - RANGE - INSULATION 16-14	USED ON 69875
12-18-69	TOLERANCE EXCEPT AS NOTED = .015 ± 1°	SCALE 4-1
12-18-69	NAME DIE ASSEMBLY MOD-B	LOC MFG 69931

REV	DESCRIPTION	DATE
B	REVISED	12-18-69
A	REVISED	12-16-69

DIMENSIONS IN INCHES DO NOT SCALE PRINT.