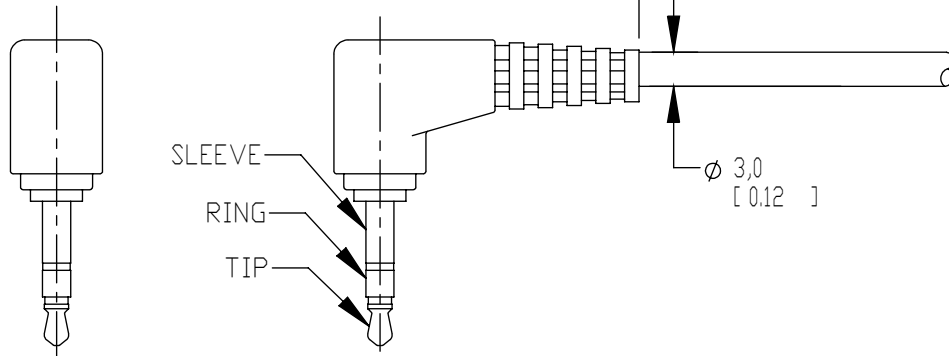
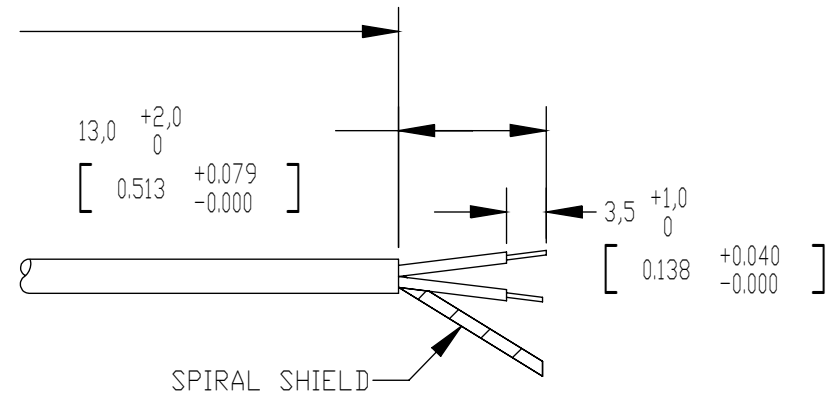


**NOTES:**

1. PRIMARY UNITS ARE METRIC (MM [INCHES]).
2. THIS PRODUCT IS RoHS COMPLIANT.



RA 2.5mm 3 CONDUCTOR PLUG



WIRING

- TIP - WHITE CONDUCTOR
- RING - RED CONDUCTOR
- SLEEVE - SHIELD

STRIP & TIN

MATERIALS:

- OVERMOLD - PVC, BLACK
- CABLE - 2 CONDUCTOR, 28AWG, SPIRAL SHIELDED  
BLACK PVC JACKET
- PLUG - BRASS, NICKEL PLATED

PART NUMBER	DIMENSION "X"	
	METERS	INCHES
251HR07984X	2 METERS+50mm/-0	79.00+2.00/-0

CUSTOMER DRAWING

					★ STAR SYMBOL DENOTES CRITICAL DIMENSION	THIS DRAWING DESCRIBES A DESIGN CONSIDERED PROPRIETARY IN NATURE, DEVELOPED AND MANUFACTURED BY SWITCHCRAFT INC. AND IS RELEASED ON A CONFIDENTIAL BASIS FOR IDENTIFICATION PURPOSES ONLY.					
					UNLESS OTHERWISE SPECIFIED	SIZE	WIDTH	MULT	LBS/M	TEMPER	
					1. ALL DIMENSIONS IN INCHES -TWO PLACE DECIMALS ±0.01 -THREE PLACE DECIMALS ±0.005 -ANGLES ±1° -ALL DIA. CONCENTRIC WITHIN 0.005 T.I.R.	FINISH			MATERIAL		
					2. FEATURES ON THE SAME CENTERLINE MUST BE ALIGNED WITHIN ±0.002	SPEC No.			SPEC No.		
					3. REMOVE ALL BURRS	FIRST USED ON		SCALE 3:2		<b>Switchcraft®</b>	
A	26298	03-25-08	AH	TJK	DATE DRAWN	BY	CHKD	APVD			
REV	ECD NUMBER	DATE	BY	APVD	03-04-08	AH	AH 03-04-08	BDS 03-04-08	SHEET 1 OF 1		
REVISIONS					DO NOT SCALE DRAWING	NAME CABLE ASSEMBLY 2.5mm 3 CONDUCTOR RA TO S & T, RoHS			PART No. 251HR__84X	REV A	

